
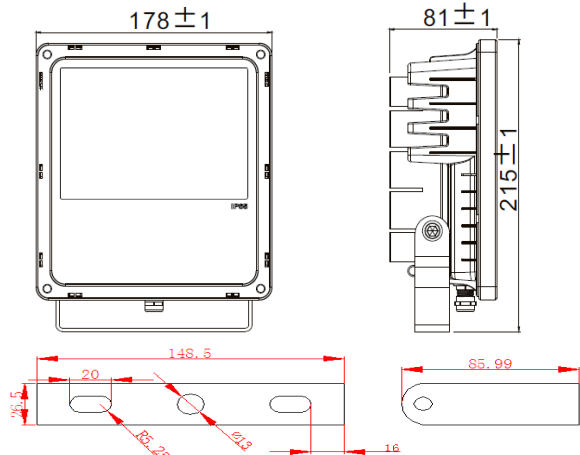
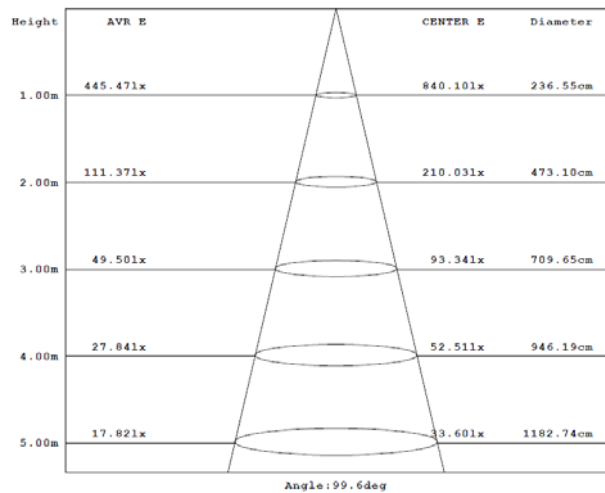


MANUAL OF LED FLOOD LIGHT

Model No.	TA-FL030		
Order No.	TA-FL030-WW	TA-FL030-PW	TA-FL030-CW
Dimension	215x178x81mm		
System Power Consumption	30-38.5W		
Input Voltage	90~264VAC 50HZ~60HZ		
Light Source	30 pcs High Power LED SMD3535		
Total Harmonic Distortion	≤9%		
Power Factor	>0.9		
Power Efficiency	>0.84		
Led Luminous Efficiency	75-80lm/W		
Beam Angle	100°		
Average Luminous Flux	2250-2400lm		
CCT	2700-3700K	4000K-5300K	5500K-6700K
CRI	>70		
Working Temperature	-30°C ~ +55°C @35~90%RH		
Storage Temperature	-40°C ~ +85°C @5~95%RH		
IP Grade	65		
Color	Red/ Green/ Blue/ WW/ PW/CW		
Material of the lamp shell	Housing:	Aluminium with copper cooling fins	
	Cover:	ASA plastic with Strengthen glass	
Net Weight	1.4kg/pc		
Package Size & Weight	635x490x555mm 29kg/carton 20pcs each carton		
Certificate			



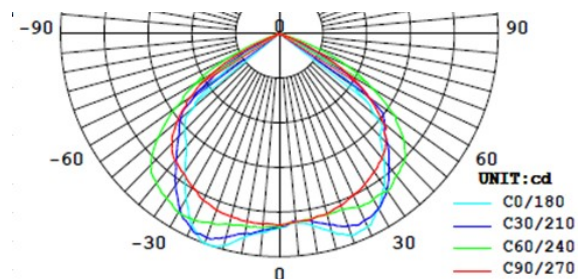
Illuminance Diagram



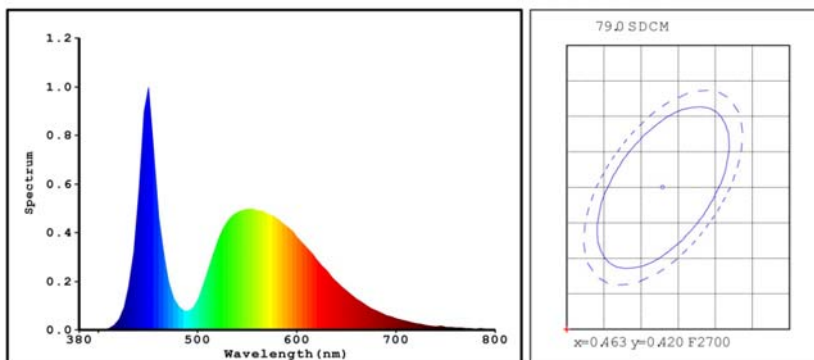
Main Features

- *50% less in power consumption than traditional flood light
- *Instant on and adjustable projecting direction
- *Eco-friendly, no UV,IR, flicker and mercury free
- *High power efficiency with good heat dissipation
- *Maintenance free, extra long lifespan of over 50,000 hours
- *Ideal for outdoor application, commercial buildings, ad boards, etc.

Light Distribution Curve



Light Source Test Report



Color Parameters:

Chromaticity Coordinate: x=0.3219 y=0.3341/u'=0.2022 v'=0.4724
Tc=6004K Dominant WL:Ld=492.6nm Purity=3.8% Centroid WL:547.0nm
Ratio:R=13.8% G=82.9% B=3.2% Peak WL:Lp=450.0nm HWL:20.8nm
Render Index:Ra=70.5
R1 =69 R2 =74 R3 =75 R4 =72 R5 =70 R6 =64 R7 =81
R8 =61 R9 =0 R10=36 R11=67 R12=35 R13=69 R14=85 R15=66

Photo Parameters:

Flux: 2578.8 lm Fe: 7.9226 W Efficacy:80.94 lm/W

Electrical Parameters:

Luminaire: U=218.8V I=0.1550A P=31.86W PF=0.9399

Instrument Status:
Scan Range:380.0nm-800.0nm Interval:5.0nm[0] Ip=10487 (G=4,D=55)
REF=7504 (R=3) %=-0.149% PMT: 31.6 centigrade [32.1]

Product Type:FK-FL30-100N-215 Manufacturer:
Number:N0003 Test Department:EVERFINE
Temperature:25.3 deg Humidity:60.0%
Test Operator:DAMIN Test Date:DAMIN
Software:V2.00.100 Instrument:PMS-80_V1 (SN:1001013)